

PBV POST BASE

Simpson's hidden standoff post base for Viga posts. The PBV6 fits a 6" or 8" diameter viga post, and the PBV10 fits a 10" or 12" diameter post.

MATERIAL: 14 ga **FINISH:** Galv. or textured powder-coated flat black paint; check factory.

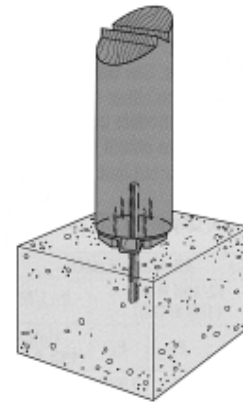
INSTALLATION: • **Footing installation:** Drill a 3/4" hole 10" deep min. into the center of the viga post. Clean out dust. Half fill the hole with SET epoxy. Insert the all-thread rod, and allow epoxy to set. Slip PBV over the rod and secure to the post.

- Drill a 3/4" hole 5" deep minimum into the center of the footing. Clean out dust. Half-fill the hole with SET epoxy. Insert the all-thread rod into the hole.
- **4" minimum slab installation:** Drill hole into viga post as noted above. Align post surface with edge of slab. Mark center of post on slab. Drill a 3/4" hole 3 1/2" deep into slab. Half fill the hole with SET epoxy. Insert the all-thread rod into hole.
- Not recommended for non-top-supported installation such as fences.

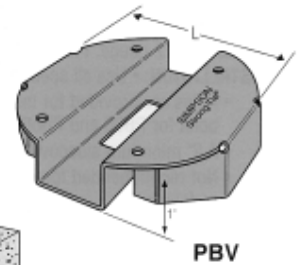
Model No.	L	Fasteners		Uplift Avg Ut	Allowable Loads	
		Post	Anchor Bolt		Uplift	Down
PBV6	5 1/4"	4-SDS 1/4"x3"	3/8"	1880	2985	9250
PBV10	9 3/16"	4-SDS 1/4"x3"	3/8"	2815	2985	15865

1. Uplift loads are increased 33% and 60% for earthquake or wind loading; no further increase allowed. Reduce by 33% and 60% for normal loading.

2. Download may not be increased for short-term loading.
3. Download based on 700 psi wood bearing for Ponderosa Pine.
4. Min edge dist. for table loads is 4 3/4".
5. For 4" slab, the allowable uplift load is 1580 lbs with 2 3/4" minimum edge distance.



Typical PBV6 Installation



US Patent D 399,013

STEEL PRODUCTS

EPB44T ELEVATED POST BASES

The EPB44T fits 4x posts and beams. Adjustable up and down.

MATERIAL: 12 gauge base, threaded rod support 5/8" x 5" (shipped assembled)

FINISH: Base—G60 galvanized, threaded rod—zinc plate

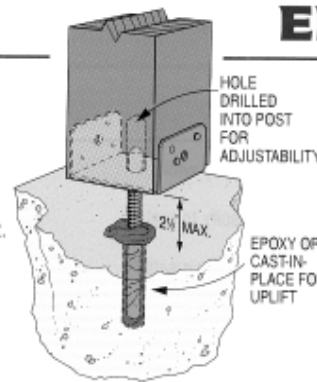
INSTALLATION: • **Secured with epoxy:** Drill a 3/4" hole 2 1/2" deep min. into the concrete. Half fill the hole with epoxy. Insert the EPB44T and adjust to the desired height. To adjust after the epoxy cures, drill a hole in the center of the post and turn the post base up or down to the desired height.

- **Supported by a nut:** Drill a 3/4" hole 2 1/2" deep min. into concrete. Install a 5/8"-11 NC nut and cut washer on the threaded rod. (Nut and washer not supplied). Insert EPB44T into the hole and adjust to the desired height.
- Embedded in wet concrete: Embed 5/8" rod minimum 4" embedment.
- Minimum sidecover is 3" from the center of the threaded rod.
- Fully engage at least three threads in the base.
- Not recommended for non-top-supported installations such as fences.

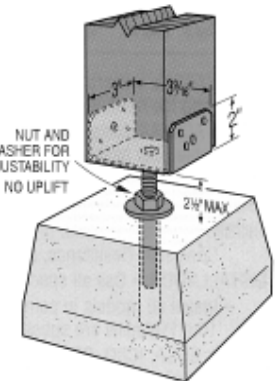
CODE: BOCA, ICBO, SBCCI NER-432.

Model No.	Nails	Uplift Avg Ut	Allowable Loads			
			Uplift (133)	Lateral (160)	(133/160)	Down
EPB44T	6-16d	3703	1130	1140	410	3275

1. Loads may not be increased for short term loading.
2. Uplift & lateral loads require the threaded rod to be set in wet concrete or attached to cured concrete with epoxy.
3. Specifier to design concrete for shear capacity.



Typical EPB44T Installed with Epoxy



Typical EPB44T installed with nut and washer (not supplied)

U.S. Patent 5,666,774

The EPB44A is a single-piece, non-welded elevated post base.

MATERIAL: EPB44A—14 ga.; others—12 ga. base plate, 1 1/8" OD x 8" pipe

FINISH: EPB44A—Galvanized; all others—Simpson gray paint

INSTALLATION: • Use all specified fasteners. See General Notes.

- Allows 1" to 2 1/2" clearance above concrete, 2" for EPB44A. Insert EPB into concrete after screeding.
- Not recommended for non-top-supported installations such as fences.

OPTIONS: 12" pipe available for EPB44, 46, 66; specify "-12" after model number.

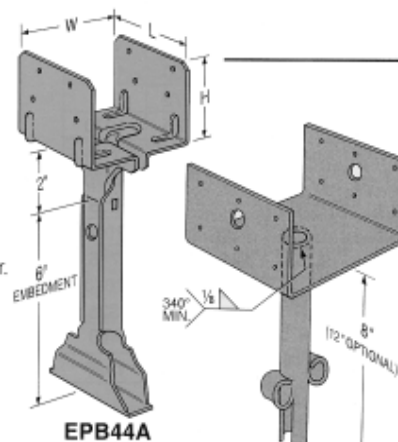
CODES: BOCA, ICBO, SBCCI NER-393; City of L.A. RR 24818 (EPB).

Model No.	W	L	H	Nails	Uplift Avg Ut	Allowable Loads			Down (100)
						(133) and (160)			
						Uplift	F ₁	F ₂	
EPB44A	3 3/8"	3"	2 3/4"	8-16d	3600	1100	815	935	2670
EPB44	3 3/8"	3 3/4"	2 3/4"	8-16d	3600	800	985	1135	3465
EPB46	5 1/2"	3 3/8"	3"	8-16d	3600	800	985	1135	3465
EPB66	5 1/2"	5 1/2"	3"	12-16d	—	1500	985	1135	3465

• Loads may not be increased for short-term loading.

• EPB44 and EPB46 have extra nail holes; only eight must be filled to achieve table loads.

• Specifier to design concrete for shear capacity.

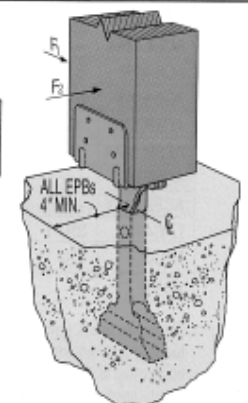


EPB44A

U.S. Patent 4,995,206, Canada Patent 2,031,552

EPB66 (EPB44 and EPB46 similar)

EPB ELEVATED POST BASES



Typical EPB44A Installation