

Wood-to-concrete and -concrete block connectors that satisfy code requirements. The PA's Dual Embedment Line allows installation in concrete or concrete block.

MATERIAL: PA—12 gauge; HPA—10 gauge.
FINISH: Galvanized. Some products available HDG or Z-MAX.
INSTALLATION: • Minimum concrete strength is 2000 psi.

- Use all specified fasteners; some models have extra fastener holes. See General Notes.
- Purlin Anchor must hook around rebar.
- Wood splitting may occur when anchor is nailed to wood less than 3 1/2" wide. For widths less than 3 1/2", see PAHD Holdowns for alternate nailing configurations, or PAI, CPAI.

EDGE DISTANCE:—Minimum concrete edge distance is 5". Minimum concrete block left-to-right edge distance is 20".

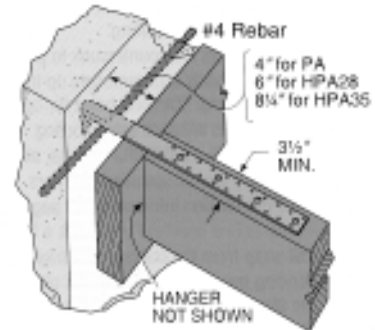
CONCRETE BLOCK WALLS:—The masonry embedment line on PA and PATM allows for 4" of grout embedment in a standard 8" concrete masonry unit. The minimum wall specifications are: one #4 vertical rebar, 32" long, at 32" o.c.; two courses of block above and below the anchor; a horizontal bond beam with two #4 rebars, 40" long, a maximum of two courses above or below the anchor; all cells grouted with 2000 psi 3/4" aggregate grout. Grout shall be vibrated per the 1997 UBC section 2104.6.2.

OPTIONS: See LTT and HTT Tension Ties.

CODES: BOCA, ICBO, SBCCI NER-393 and NER-499.

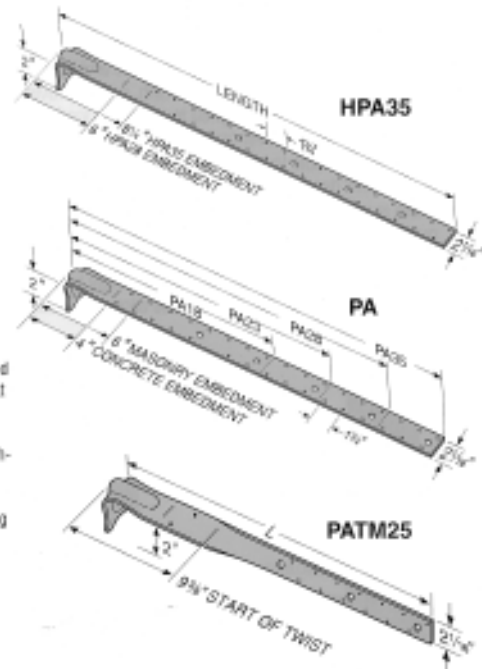
The UBC Section 1633.2.8 states:

...In seismic zones 3 and 4, diaphragm to wall anchorage using embedded straps shall have the straps attached to or hooked around the reinforcing steel, or otherwise terminated to effectively transfer forces to the reinforcing steel.



PA/HPA Purlin to Concrete Wall

Model No.	L	Fasteners		Allowable Loads			
		Masonry	Concrete	Masonry		Concrete	
				(133)	(160)	(133)	(160)
Maximum Capacity							
PA18	18 1/2	10-16d	12-16d	1880	2255	2255	2705
PA23	23 3/4	16-16d	18-16d	2815	2815	3385	3480
PA28	29	18-16d	20-16d	2815	2815	3590	3590
PA35	35	18-16d	20-16d	2815	2815	3590	3590
HPA28	21 1/2	—	24-16d	—	—	4845	4845
HPA35	38 1/2	—	27-16d	—	—	5420	5420
PATM25	28 3/4	13-16d	—	2335	2335	—	—
1% LVL and 3x Ledger							
PA18	18 1/2	10-16d	12-16d	1880	2255	2255	2705
PA23	23 3/4	15-16d	18-16d	2815	2815	3385	3480
PA28	29	15-16d	20-16d	2815	2815	3590	3590
PA35	35	15-16d	20-16d	2815	2815	3590	3590
HPA28	21 1/2	—	24-16d	—	—	4845	4845
HPA35	38 1/2	—	27-16d	—	—	5420	5420
PATM25	28 3/4	13-16d	—	2335	2335	—	—
4x Ledger							
PA18	18 1/2	8-16d	11-16d	1505	1805	2070	2480
PA23	23 3/4	15-16d	17-16d	2815	2815	3195	3480
PA28	29	15-16d	20-16d	2815	2815	3590	3590
PA35	35	15-16d	20-16d	2815	2815	3590	3590
HPA28	21 1/2	—	27-16d	—	—	4845	4845
HPA35	38 1/2	—	27-16d	—	—	5420	5420
PATM25	28 3/4	13-16d	—	2335	2335	—	—



1. Minimum penetration for 16d commons is 1 1/4".
2. 16d sinkers (9 gauge x 3 1/4") or 10d commons may be substituted for the specified 16d commons at 0.85 of the table loads.
3. Allowable loads have been increased 33% and 60% for earthquake or wind loading with no further increase allowed; reduce for other load durations according to the code.
4. The PATM is designed to be installed at a 2° angle. Less load will be developed at steeper angles.
5. PATM25 load installed with 3-1/2" machine bolts is 2335 lbs. The bolt values assume minimum lumber thickness of 2 1/2".

Jack piers and standard floor beam levelers offer unique leveling simplicity during and after construction.

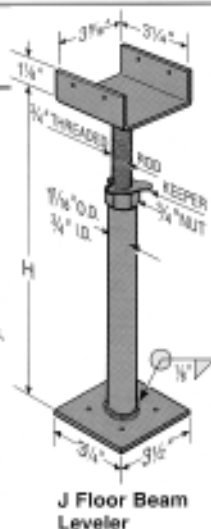
MATERIAL: 12 gauge plates, 3/4" threaded rod, 1 1/2" O.D. steel pipe
FINISH: None. Connectors installed in damp areas, or corrosive environments that are not exposed to rain or periodic washing, will deteriorate at a faster rate. Corrosion-resistant finishes and maintenance can improve the connector's service life.

INSTALLATION: • Use all specified fasteners. See General Notes.
 • Holes are provided for installation with 10d x 1 1/2" nails.
 • Do not use J/JPs for dynamic jacking of structures, such as houses.

CODES: BOCA, ICBO, SBCCI NER-413, City of LA RR 25119.

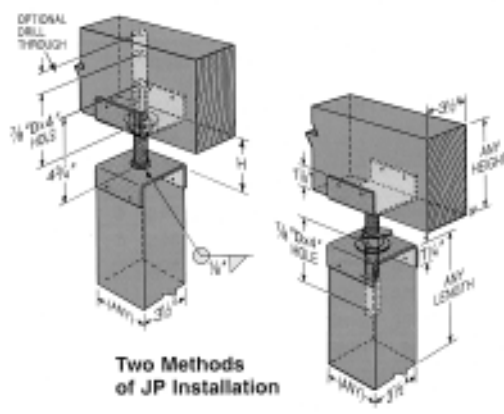
Model No.	Dimensions		Allowable Bearing Loads (100)
	H (inches) (Min-Max)	Threaded Rod Length	
JP44	2-4	4 1/2	4440'
J57	5-7	4	4380
J813	8-13	8	4380

1. Consider allowable loads for 4x4 post.
2. Loads may not be increased for short-term loading.



J Floor Beam Leveler

J/JP FLOOR BEAM LEVELERS



Two Methods of JP Installation