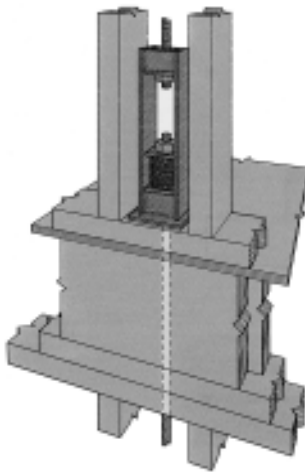


## ATS ANCHOR TIEDOWN SYSTEMS

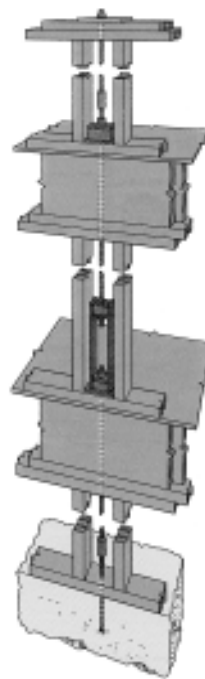
- Concentric Holdown for multi-story commercial applications.
  - No horizontal drilling
  - From 8000 lbs to 40,000 lbs load capacity.
- CODE: ICBO ER5090; City of L.A. RR 25236



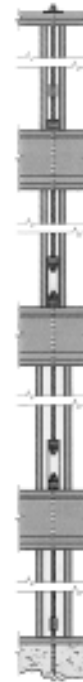
**NEW**

**ATS**  
U.S. Patent No. 4,875,314  
Canada Patent No. 1,325,874

Request form F-ATS for detailed information



ATS System in a four story application

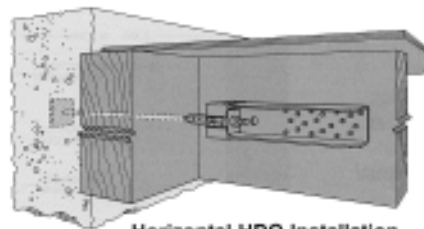


ATS System in a five story application

## HDQ8 HOLDOWN

**NEW**

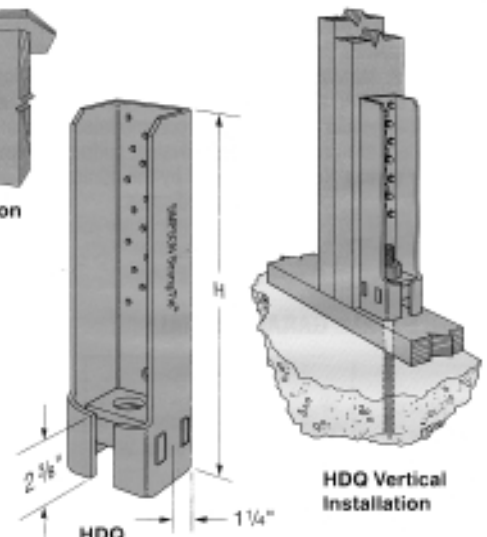
- Attaches purlin to wall.
- Finish: Galvanized.
- SDS screws for faster installation and maintain integrity of the wood (included)
- 5/8" of adjustability perpendicular to the wall
- 1 1/4" center line for reduced eccentricity
- Use in vertical and horizontal applications



Horizontal HDQ Installation

Model No.	Ga	W	H	B	Anchor Dia.	No. of SDS 1/4x3 Wood Screws	Allowable Tension (lbs) (133)	Holdown Deflection at Highest Allowable Design Load
HDQ8-SDS3	7	2 1/2	14	2 1/2	3/8	20	6325	0.040

1. Allowable loads have been increased 33% for wind or earthquake loading. No further increase allowed.
2. For double installation, offset holdowns to eliminate screw interference. This achieves double the load capacity (16,650 lbs).
3. The designer must specify anchor bolt type, length and embedment. See the SSTB Anchor Bolts.
4. See page 32 for retrofit anchor bolt.
5. Loads are based on static tests on wood studs, limited by the lowest of 0.125" deflection, ultimate divided by 3, or the wood screw value.
6. Deflection at Highest Allowable Design Load: The deflection of a holdown measured between the anchor bolt and the strap portion of the holdown when loaded to the highest allowable load listed in the catalog table. This movement is strictly due to the holdown deformation under a static load test conducted on a steel jig.
7. Installs best with a low speed 1/2" right angle drill with a 3/8" hex head driver.



HDQ Vertical Installation

**HDQ**  
US Patent No. 6,018,917

May also be installed raised off the sill plate

## TUD SIMPSON TAKEUP DEVICE

**NEW**

- Cost effective solution for a known industry problem
- 1" of travel
- Fits up to 3/8" diameter rod
- Sized to fit HDQ and PHD holdowns

Patent Pending



**TUD7/8-1**

The clamp holds the device in tension until installation is complete. Do not remove clamp until the TUD is fully installed.

STEEL PRODUCTS