

LMA/MASB/MAS/MAB/MA MUDSILL ANCHORS

See page 13 for additional product illustrations.

The LMA offers a higher lateral load capacity in a lighter gauge. Two sizes provide an economical replacement for 1/2" diameter sill plate bolts.

The MASB is designed for installation on concrete masonry units, and to meet the requirements for BOCA Building Code Section 2305.16.

MAS—For slab or stemwall construction. Fast for the finisher—install before pouring concrete by nailing into form, or insert into concrete after pour. Finish up to the edge of slab. No anchor bolts to hand trowel around, no nuts or washers to lose. Fast for the framer—eliminates plate drilling and mislocated anchor bolts.

MAB—Anchors mudsill to concrete block, poured walls or slab foundation.

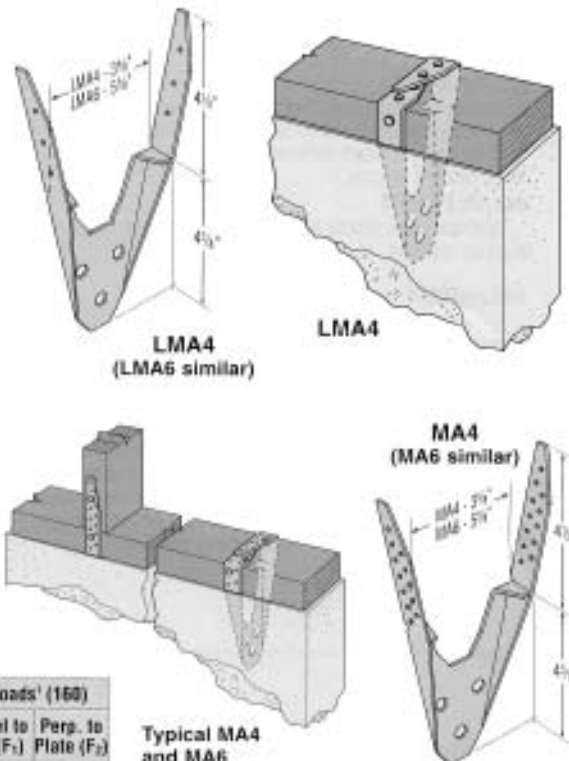
MATERIAL: MASB, MAS, MA—16 gauge, LMA, MAB—18 gauge

FINISH: Galvanized. Some products available in Z-MAX; see Corrosion Resistance, page 5.

INSTALLATION: • Use all specified fasteners. See General Notes.

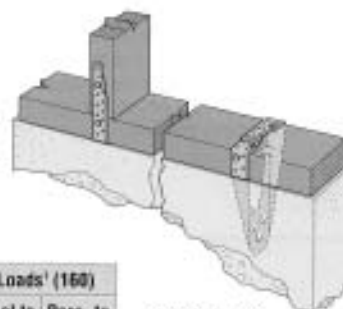
- Not for use where (a) a horizontal cold joint exists between the slab and foundation wall or footing beneath, unless provisions are made to transfer the load, or (b) anchors are installed in slabs poured over foundation walls formed of concrete block. All grout and concrete must have a minimum of 1_c 2000 psi.
- MASB—First fill CMU cell with concrete grout. Place MASB into the grouted cell, and adjust into position. Attach mudsill to anchor after the concrete cures.
- MAB—When used in monolithic slab or stemwall construction, prior to installation, spread the MAB legs to accommodate mudsill. Immediately after pouring and screeding, insert into the concrete or grout. Attach the mudsill to the anchor with 10dx1 1/2" nails after the concrete cures. When installed in grouted concrete block or solid pour for a center hole installation, drill a 3/4" hole through the mudsill. Wrap MAB straps around the mudsill and install 10dx1 1/2" nails.

CODES: BOCA, ICBO, SBCCI NER-209, NER-393, NER-443; ICBO 5357; City of L.A. RR 25149 (MA); BOCA 97-9 (MASB).



LMA4
(LMA6 similar)

LMA4



MA4
(MA6 similar)

Typical MA4
and MA6
Installation

Model No.	Sill Size	Fasteners		Uplift Avg Ull	Allowable Loads ¹ (133)			Allowable Loads ¹ (160)		
		Sides Total	Top		Uplift ²	Parallel to Plate (F ₁)	Perp to Plate (F ₂)	Uplift ²	Parallel to Plate (F ₁)	Perp. to Plate (F ₂)
MAS	2x4,6	2-10dx1 1/2	4-10dx1 1/2	3360	1005	720	480	1005	815	575
MASB	2x4,6,8	2-10dx1 1/2	6-10dx1 1/2	—	130	930	410	130	930	410
LMA4	2x4	2-10dx1 1/2	4-10dx1 1/2	2831	905	675	520	905	675	520
	3x4	4-10dx1 1/2	2-10dx1 1/2	2831	905	675	520	905	675	520
LMA6	2x6	2-10dx1 1/2	4-10dx1 1/2	2831	905	730	650	905	825	650
	3x6	4-10dx1 1/2	4-10dx1 1/2	3697	1110	825	650	1110	825	650
MA4	2x4	2-10dx1 1/2	2-10dx1 1/2	3065	830	480	430	830	575	430
	3x4	4-10dx1 1/2	2-10dx1 1/2	2977	915	680	430	915	680	430
MA6	2x6	2-10dx1 1/2	4-10dx1 1/2	2977	915	680	430	915	680	430
	3x6	4-10dx1 1/2	4-10dx1 1/2	3083	965	680	430	915	680	430
MAB15	2x4,6	2-10dx1 1/2	4-10dx1 1/2	1867	565	500	500	565	500	500
MAB23	2x4,6	2-10dx1 1/2	4-10dx1 1/2	1867	565	500	500	565	500	500

1. Loads may not be increased for short-term loading.
2. For uplift loads, provide attachment from mudsill to building's structural components to prevent cross-grain bending.
3. MAS installed with 1 leg attached to stud has loads of 435 lbs (uplift), 700 lbs (parallel to plate) and 240 lbs (perp. to plate).
4. MASB installed with 1 leg attached to stud has load of 960 lbs (parallel to plate) and 360 lbs (perpendicular to plate).
5. MA installed attached to the stud has a perpendicular load of 670 lbs. Parallel loads as listed. For reduced uplift loads, contact Simpson.

GH GIRDER HANGERS

A girder-to-foundation wall connection.

MATERIAL: 12 gauge

FINISH: Simpson gray paint

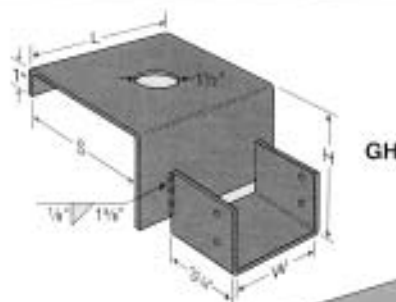
INSTALLATION: • Use all specified fasteners. See General Notes.

- Insert four 16d commons into girder.
- H dimension assumes 2x sill, when using a larger sill such as 3x, specify H.
- 1 1/2" clearance hole accommodates rebar or anchor. This is not required.

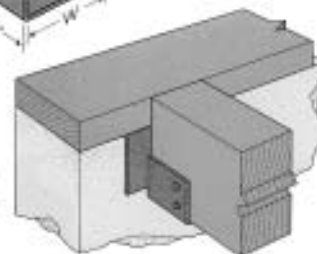
OPTIONS: For skewed and saddle hangers, see Hanger Options on page 141.

Contact Simpson for other sizes available.

CODES: BOCA, ICBO, SBCCI NER-443. City of L.A. RR 25149



Typical GH
Installation



1. Loads may not be increased for short-term loading.
2. A mudsill on top of the GH is required to achieve the table loads.

Model No.	Girder	Dimensions				Avg Ull	Allowable Loads	
		W	L	H	S		Floor (100)	Roof (125)
GH46-6	4x6	3 3/4	6	4	6 1/4	12167	2000	2000
GH46-8	4x6	3 3/4	6	4	8 1/4	12167	2000	2000
GH48-6	4x8	3 3/4	6	6	6 1/4	12167	2000	2000
GH48-8	4x8	3 3/4	6	6	8 1/4	12167	2000	2000
GH66-6	6x6	5 1/2	8	4	6 1/4	19167	4000	4000
GH66-8	6x6	5 1/2	8	4	8 1/4	19167	4000	4000
GH68-6	6x6	5 1/2	8	6	6 1/4	19167	4000	4000
GH68-8	6x6	5 1/2	8	6	8 1/4	19167	4000	4000